

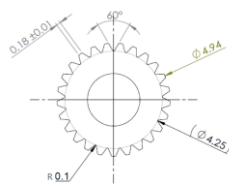
HV85 Technical Specification



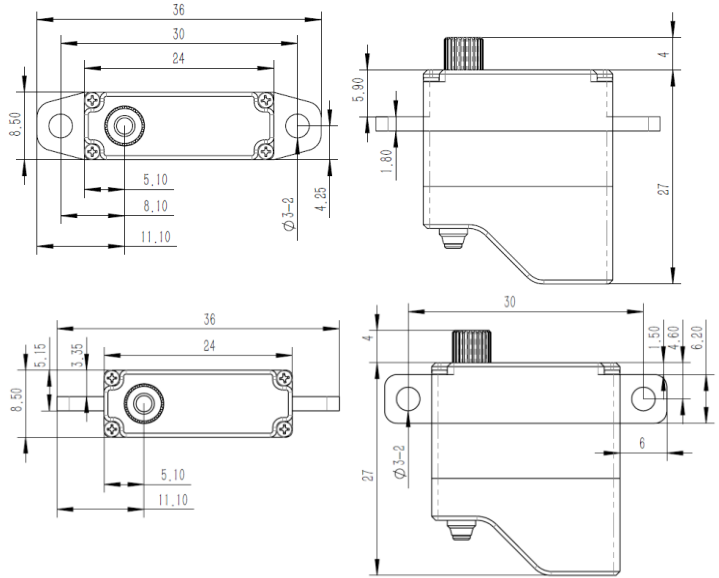
HV85



HV85H



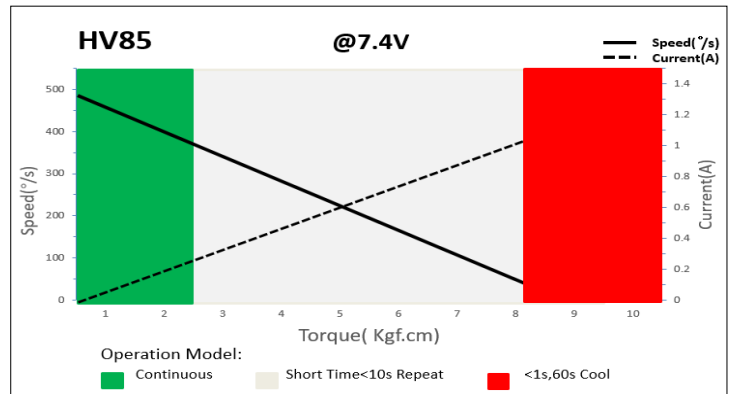
**25T- 5mm
Output Shaft Spline**



1. Operating Data

Rated Voltage	DC7.4V
Voltage Range	DC6.0V-8.4V
Torque	6.5Kgf.cm@6.0V
	8.2kgf.cm@7.4V
	9.8Kgf.cm@8.4V
Speed	0.16ec/60°@6.0V
	0.12sec/60°@7.4V
	0.11sec/60°@8.4V
talling Current	0.86A@6.0V
	1.08A@7.4V
	1.35A@8.4V
Working Frequency	1520us/333Hz
Default Travel Angle	±50° =100° Total
Temperature Range	-10°C.....+65°C
Soft Start	Programmable
Programable	Yes
Case Material	Aluminum Alloy
Motor Type	Coreless DC Motor
Gear Set Material	Hardened Steel
Position Sensor	Potentiometer
Ball Bearing	2BB
Case Dimensions	24*8.5*27±0.2(mm)
Weight	15g±10%

2. Performance



3. Command signal PWM Command Interface

Signal Voltage	HIGH: min.3.3V, max.5.0V Low: min.0.0V, max.1.5V
Pulse Lengths	900us-2100us
Pulse Lengths for Position -50°/ 0°/+50°	1000us/1500us/2000us

4. Electrical Connection

Pin	Pin Assignment		
	1	Orange	Signal
2	Red	DC+	Supply Voltage
3	Brown	DC-	Supply Ground